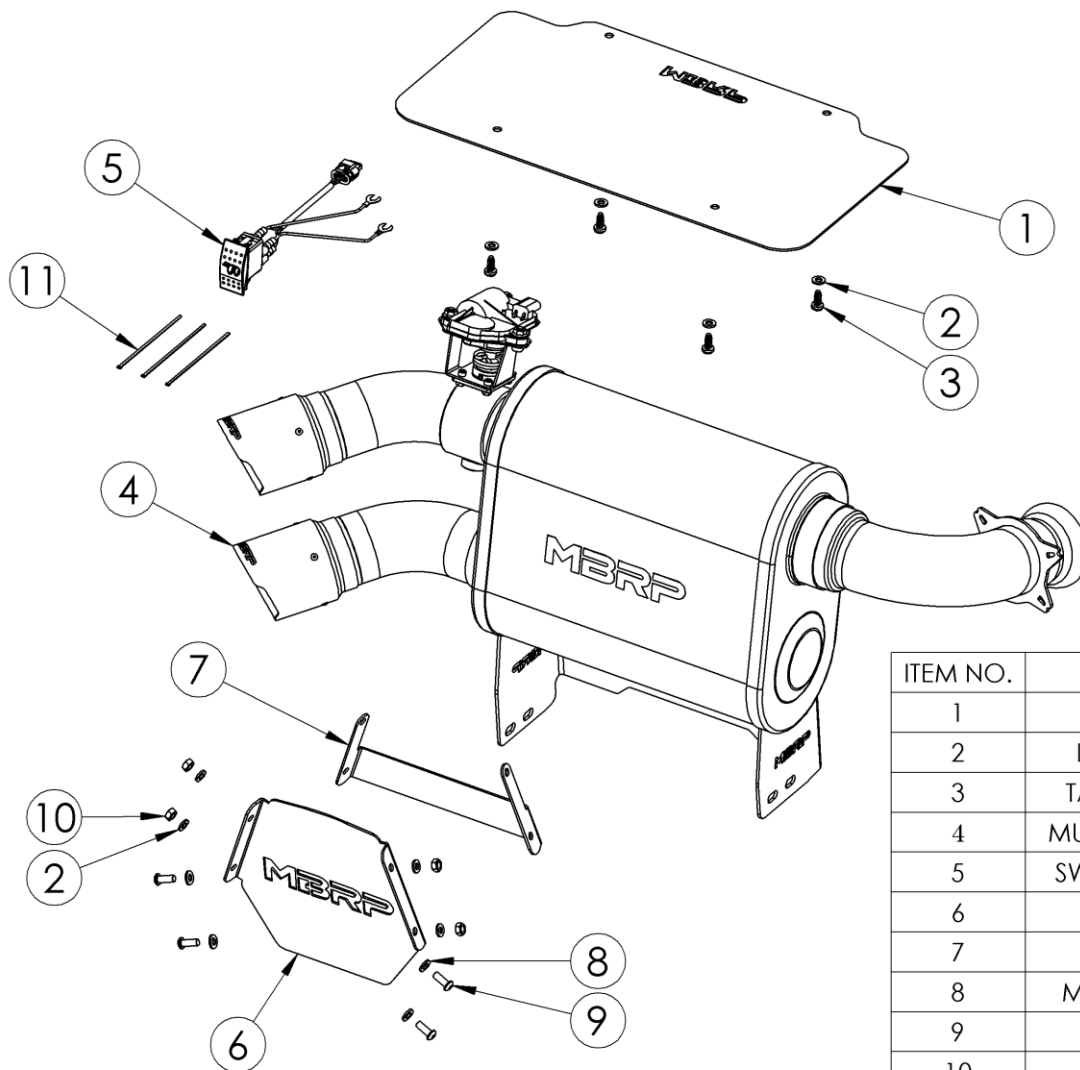


AT-9208AS

EXHAUST, ACTIVE, DUAL-OUT
2017-2018 CAN-AM MAVERICK X3
2019-UP CAN-AM MAVERICK TURBO/TURBO R/TURBO RR

MBRP



ITEM NO.	DESCRIPTION	QTY.
1	HEAT SHIELD	1
2	LOCK WASHER	8
3	TAPPING SCREW	4
4	MUFFLER ASSEMBLY	1
5	SWITCH ASSEMBLY	1
6	LOGO PLATE	1
7	BACK PLATE	1
8	M6 FLAT WASHER	4
9	M6 SCREW	4
10	M6 NUT	4
11	CABLE TIE	3

PLEASE READ BEFORE STARTING INSTALLATION

While MBRP Ltd. has made every effort to ensure that all components of this system are of superior quality and properly packaged, it is the installer's responsibility to ensure the following before removal of the factory exhaust:

- that ALL components shown above are present.
- that ALL mating components fit together.
- that there are no damaged components.
- that the system you have purchased is appropriate for your vehicle year, model and configuration.
- that the system will not interfere with any modifications previously installed or planned.
- that you have read and understand these instructions.

If you have any questions or are uncertain about any aspect of the installation of this system to your vehicle please contact your dealer before commencing installation.

MBRP

Removal of Stock Exhaust:



Figure 1



Figure 2



Figure 3



Figure 4



Figure 5

1. Remove the rear fascia assembly by removing the five screws securing it. **Refer to Figure 1.**

2. Remove the two (2) bolts and nuts securing the driver-side bracket of the stock muffler. Keep the hardware as it will be reused.

3. Remove the two (2) nuts from the bolts securing the passenger-side bracket of the stock muffler. Leave the bolts in place to support the muffler. Retain the hardware as it will be reused. **Refer to Figure 2.**

3. Remove the factory springs (4) from the muffler inlet; they will be reused for the installation. **Refer to Figure 3.**

4. Remove the two (2) bolts from the passenger-side bracket of the stock muffler and remove the muffler.

Installation of MBRP Exhaust:

1. Install the **Heat Shield** onto the underside of the rear deck by lining up the four (4) holes with the plastic bosses near the centre of the deck, and installing the four (4) **Tapping Screws** and **Lock Washers**.

2. Place the **Muffler Assembly** into position and insert the previously-removed long stock bolts through the passenger-side holes of the mounting bracket and into the stock mounts, loosely securing them using the stock nuts. **Refer to Figure 4.**

3. With the passenger-side mounting hardware in place, insert the driver-side bolts through the mounting holes and loosely secure them with the stock nuts to hold the **Muffler Assembly** in place.

4. Place the **Muffler Assembly** inlet into position over the stock exhaust gasket and secure it using the four (4) springs that were previously removed. **Refer to Figure 4.**

5. With the inlet springs installed, position the **Muffler Assembly** squarely across the vehicle frame, and fully tighten all fasteners.

6. The valve **Switch Assembly** is connected to the valve and the auxiliary power terminals, and is mounted into one of the open switch slots in the center dash panel (*top of centre console near shifter for MAX models). In order to access the auxiliary power terminals and route the wiring, first remove the passenger seat. There are 2 bolts (with nuts and washers) to remove from the front frame tubes (**Figure 5**), and two larger nuts at the back that hold the seat frame down (**Figure 6**). Next, remove the two nuts that hold the top of the seat belt to the vehicle (behind headrest), then remove the seat.

7. Remove the two side panels along the passenger-side of the center console (also remove the third panel in the back seat on MAX models) **Refer to Figure 7.**

8. Install the switch into one of the unused locations in the center dashboard (use centre console switch cut-outs for MAX models). Route the wires behind the center dash and along the passenger-side of the centre console, connecting the red and black wire leads to the auxiliary power terminals. Connect the red lead to the lower terminal, as this is only powered when the ignition is ON. **Refer to Figure 8.** Secure the wiring along its path to prevent movement using **Cable Ties** as needed.

MBRP



Figure 6



Figure 7

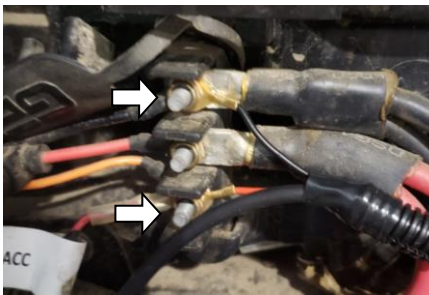


Figure 8



Figure 9



Figure 10

9. Route the longer cable with the valve connector through the back wall and up, under the rear deck surface, connecting it to the exhaust valve unit. Use a **Cable Tie** to secure the cable away from the exhaust system and any moving or sharp vehicle parts.

10. Test the exhaust valve for proper operation, then replace the centre console panels and passenger seat.

11. The rear fascia panel requires cutting around the new exhaust tips in order to be reinstalled. Cut out the supplied **Cut Template** and align it over the rear fascia panel, then trace the cut lines onto the panel. **Refer to Figure 9.** Carefully trim the plastic panel along the marked lines and then check the fit. Trim additional material as required to obtain an even gap around each exhaust tip.

12. Finally, attach the **Logo Plate** with the **Back Plate** to the center opening of the rear fascia panel. Place the **Logo Plate** on the backside (inside) of the panel with the side tabs tight to the inside walls of the opening. Ensure that the plate is centered, and mark the holes onto the plastic. Drill $\frac{1}{4}$ " holes at the four (4) marked locations, then attach the **Logo Plate** and **Back Plate** using the four (4) **M6 Screws, Washers, Lock Washers, and M6 Nuts.** **Refer to Figure 10.**

13. Reinstall the rear fascia panel using the five (5) screws that were previously removed.

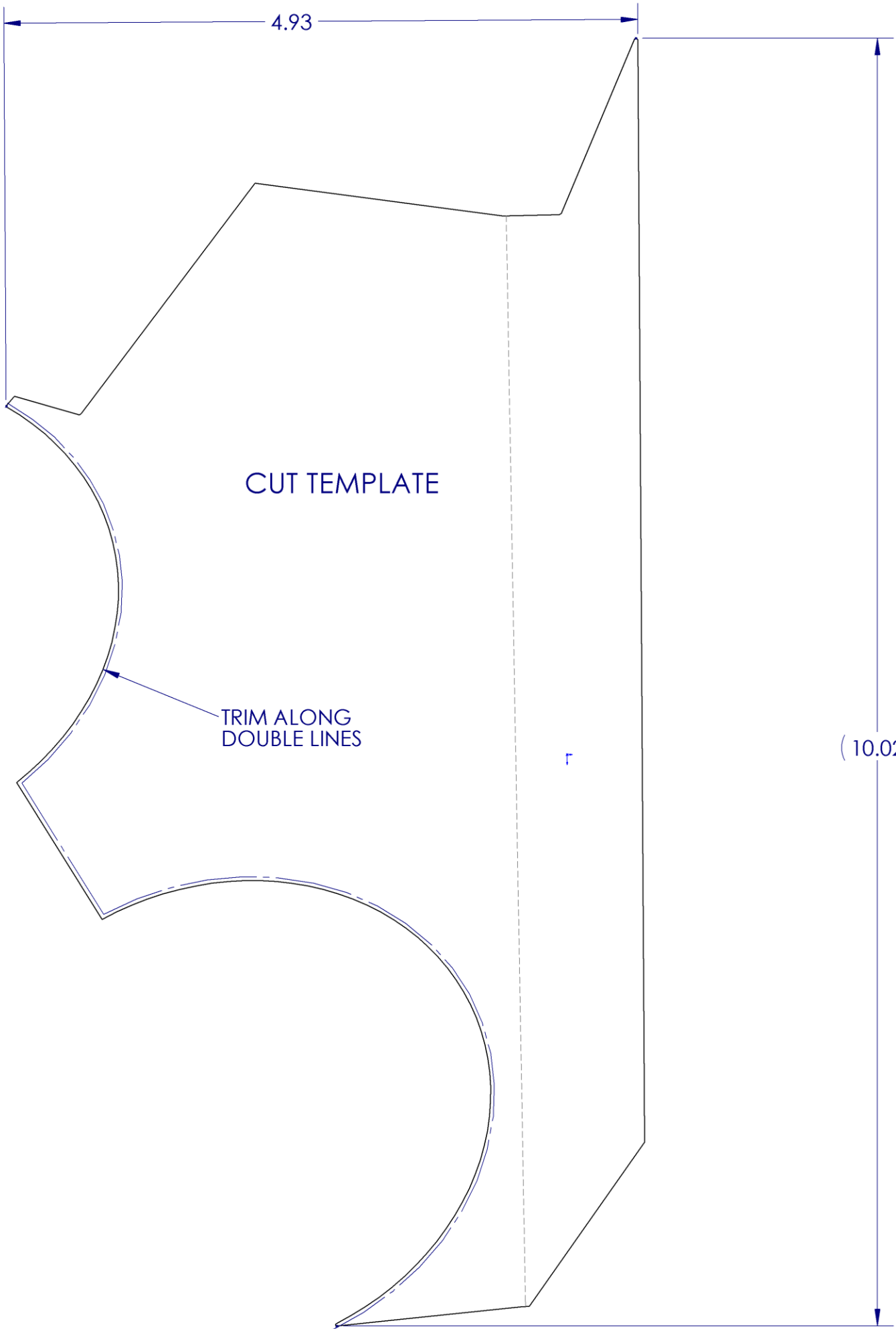


Caution! When the exhaust valve is in the closed position there will be increased back pressure – avoid running the engine at, or near, full-throttle with the valve closed, as this could potentially cause overheating and/or damage to the vehicle.

Note: In order to maintain optimal performance, the spark arrestor screens should be cleaned after every 30-35 hours of use.



Congratulations! You are ready to begin experiencing the improved performance and driving excitement of your **MBRP** SXS Exhaust upgrade. We know you will enjoy your purchase.



4.93

CUT TEMPLATE

TRIM ALONG
DOUBLE LINES

r

(10.02)